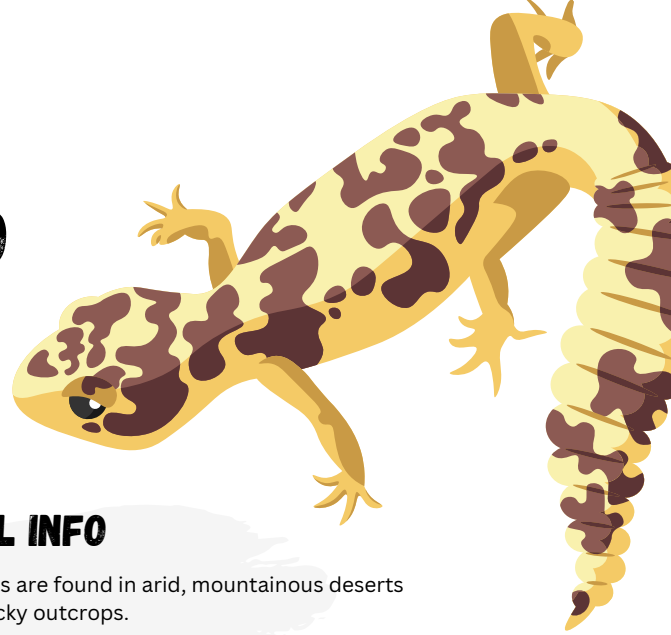




East Bay Vivarium

# LEOPARD GECKO (EUBLEPHARIS MACULARIUS) FAT-TAIL GECKO (HEMITHECONYX CAUDICINCTUS)



This is a very general care sheet, we strongly recommend gathering as much information as possible regarding captive husbandry of the specific species of your Gecko. Sources of information include connecting with other keepers via online social media groups, online forums & care sheets as well as youtube videos.

## TEMPERATURE

**Hot Side:** 88-92F (thermometer on ground, not on wall)  
**Cool Side:** 78-81F  
**Evening:** 73-77F

There should be thermometers on both the hot and cool side of the cage at all times.

We strongly recommend having a Min/Max thermometer on the cool side of your cage so you can monitor your overnight temperatures.

*\*If the enclosure drops below these suggested temperatures, the Gecko may start to brumate (hibernate) and will not eat because they think winter is coming.*

## WATER AND HUMIDITY

A small water dish should be available at all times on the cool side of the enclosure. We recommend adding a small rock into the water bowl that protrudes out of the water to aid in the prevention of feeder insects drowning in the water dish and fouling the water. Water should be replaced 2-3 times a week.

It's necessary that you provide your gecko with humid hides. This is simply stuffing moistened moss/eco-earth into the hide to promote proper shedding. You should check this hide 3-5 times a week to ensure that it remains humid.

Depending on the substrate you use, you may be able to spray down larger areas of the cage to raise humidity outside of the humid hide. Examples: Eco Earth, Repti-soil or Bio-Active Supply substrates.

## SHELTER & CAGE SIZE

There should be a hide on both the hot/cool side of the enclosure; both hides should be humid hides. The hide should be big enough for the animal to fit inside, but small enough that it feels secure and safe.

**Baby/Juvenile:** Floor space of 20" x 10" (10 gallon)  
**Adult:** Floor space of 30" x 12" minimum (20 gallon long); Preferred size 36" x 18" (40 gallon long)

## SUBSTRATE

We recommend putting baby geckos on paper towels or newspapers to reduce the chance of an impaction. Until the gecko is at least 5 inches long to help avoid impaction.

Once they are 5 inches+ they can be kept on loose substrate. Examples: Repti-soil and Bio-Active Supply substrate formulas. These can also be mixed with play sand or Repti Sand. **We do not recommend using a solely sand substrate.**

*\*Impaction typically occurs when a reptile isn't getting enough Calcium/Vitamins. If the animal isn't getting enough of these minerals in their diet they will look for it in their environment and may attempt to eat the bedding, thus leading to an impaction. Improper temperatures also play a large part in impaction.*

## GENERAL INFO

Leopard geckos are found in arid, mountainous deserts primarily in rocky outcrops.

Fat-Tail geckos are found in savannah & woodland habitats often sheltering in termite mounds.

Both species attain a size of 8-10 inches.

These are terrestrial geckos that can not climb glass like many other geckos are known for. Floor space is much more important for them than climbing space.

Both of these species will often choose a favorite corner to leave most of their "droppings" in.

## DIET & FEEDING

Both geckos will eat Crickets, Dubia Roaches, Mealworms, King Mealworms, Hornworms, Waxworms and other small insects. The insect should generally be narrower than the gap between the Gecko's eyes otherwise it can be a potential choking hazard. Generally the bulk of their diet will consist of crickets and roaches.

It is highly recommended that all feeder insects are "Gut Loaded" which is essentially feeding the feeder insects healthy items for 24 hours prior to offering them to your Gecko. All the nutrition the feeders have taken in will be passed on to the Gecko.

**Baby/Juvenile:** 4-5 times per week  
**Adult:** 2- times per week

## SUPPLEMENTS

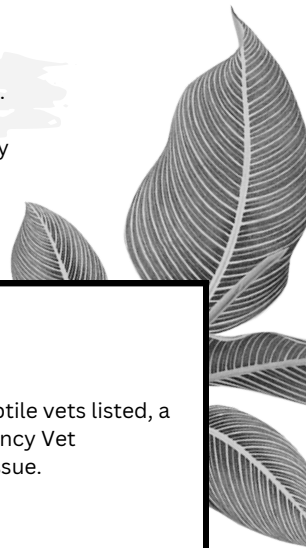
Despite efforts to gut load the insects, they will never offer the nutrition a Gecko in the wild would consume. Therefore we must supplement their diets with a calcium +D3 supplement and a multivitamin supplement. It's advisable to have a small dish of calcium in the enclosure at all times along with regular "dusting" of the feeders with the multi-vitamin.

## LIGHTING

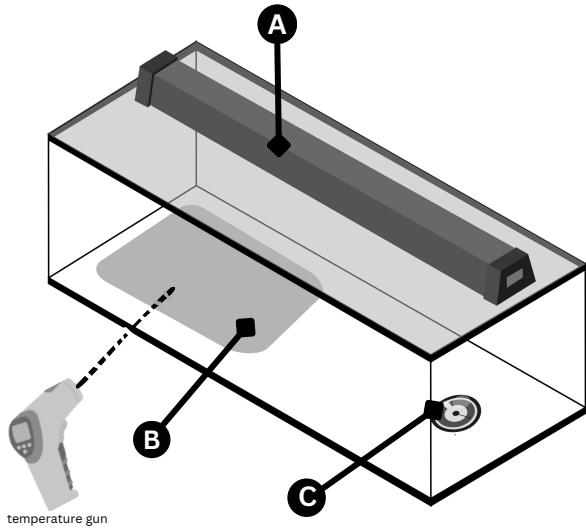
UV lighting is not required for Leopard or Fat-Tail Geckos but we encourage offering it when possible. A 5.0 UV bulb or lower is more than sufficient. If offered, the UV lights should be on for 12 hours/day and off for 12 hours/night to simulate day/night. Geckos are nocturnal and typically hunt at night.

## MEDICAL CONCERNS

**EastBayVivarium.com** has several Bay Area Reptile vets listed, a nationwide reptile vet search as well as Emergency Vet information if your animal is having a medical issue.



## BOTTOM HEAT OPTION



temperature gun

### A Lighting

UVB *optional*. 5.0 or lower.  
12 hours light on, 12 hours light off

### B Heat Mat

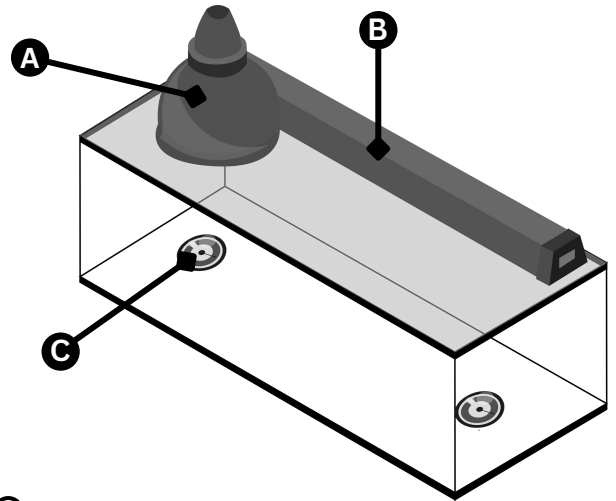
Attach to dimmer for temperature control.

### C Temperature Monitoring

- Temperature gun measures surface temperature of the heat mat.
- Have a thermometer on the floor of each side of the enclosure to measure the air temperature of the hot side and cold side. Lay on top of substrate.
- A Min/Max thermometer is recommended on cool side of enclosure to monitor your overnight temperatures.

\*\* Winter months may require additional heating to raise enclosure air temperature to prevent the animal from going off feed.

## TOP HEAT OPTION



### A Heat

Use heat bulb or deep heat projector.

### B Lighting

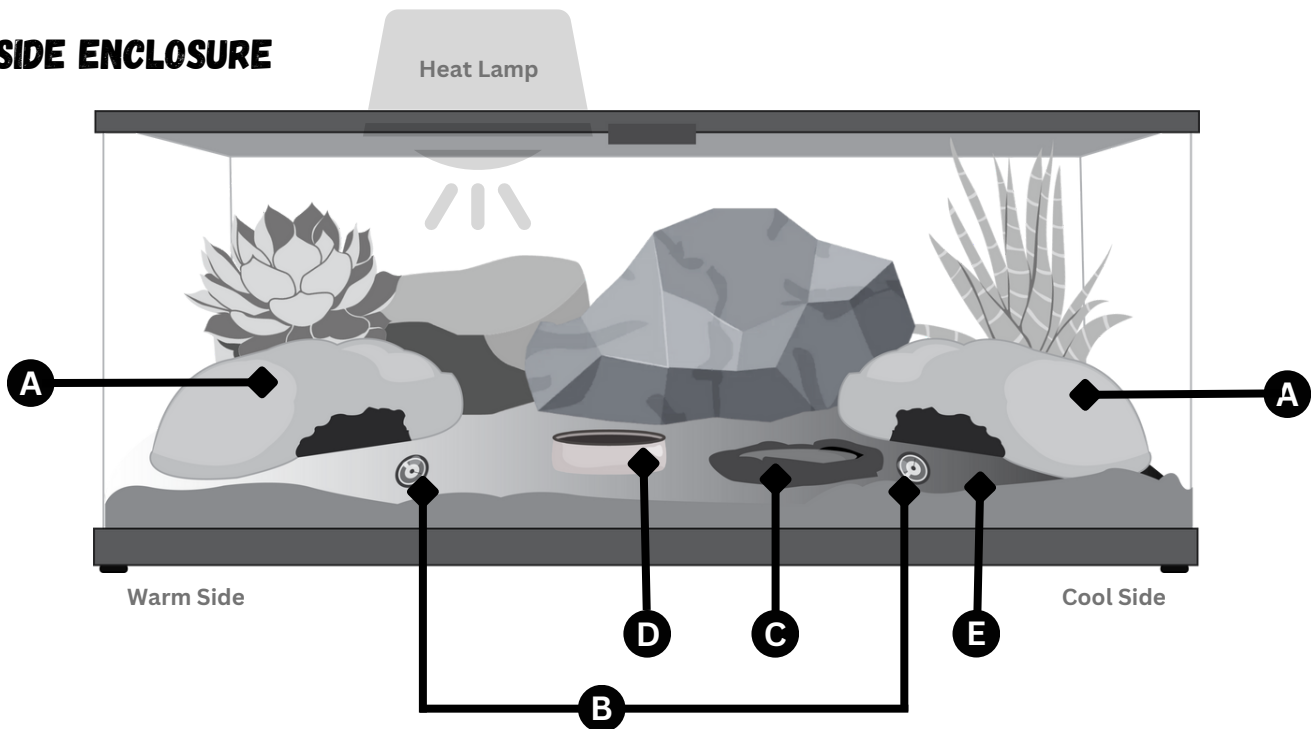
UVB *optional*. 5.0 or lower.  
12 hours light on, 12 hours light off

### C Temperature Monitoring

- Have a thermometer on the floor of each side of the enclosure to measure the air temperature of the hot side and cold side. Lay on top of substrate.
- A Min/Max thermometer is recommended on cool side of enclosure to monitor your overnight temperatures.

\*\* Winter months may require additional heating to raise enclosure air temperature to prevent the animal from going off feed.

## INSIDE ENCLOSURE



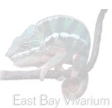
A Warm & Cool Hides

B Thermometers

C Water Bowl

D Calcium Bowl

E Substrate



East Bay Vivarium