



East Bay Vivarium

# GENERAL COLUBRIDS

## CORN SNAKE, RAT SNAKE, BULL SNAKE, MILK SNAKE, KING SNAKE, HOGNOSE SNAKE



This is a very general care sheet, we strongly recommend gathering as much information as possible regarding captive husbandry of the specific species of your snake. Sources of information include connecting with other keepers via online social media groups, online forums, books & care sheets as well as youtube videos.

### TEMPERATURE

**Hot Side:** 84°-86°F (thermometer on ground, not on wall)  
**Cool Side:** 75°-80°F  
**Evening:** 65°-75°F

There should be thermometers on both the hot and cool side of the cage at all times.

We strongly recommend having a Min/Max thermometer on the cool side of your cage so you can monitor your overnight temperatures.

*\*If your cool side or evening time temperatures drop below these, your snake may start to refuse food.*

### WATER AND HUMIDITY

Your snake should have a water dish large enough for it to curl up in and submerge its entire body. The water should be deep enough that when the animal exits the bowl, there will still be water remaining.

Overall humidity will depend on the region your species of snake comes from. Desert snakes will require less humidity than snakes from areas like Florida.

### LIGHTING

For "Daytime Lighting"  
12 hours on, 12 hours off

UVB optional.

### ENCLOSURE

**Baby/Juvenile:** Floor space of 20" x 10"  
**Adult:** Floor space of 36" x 18" minimum for most species.

Ideally, especially for adult snakes, the enclosure will be solid top to keep in more heat and humidity.

Enclosures should be escape-proof. Screen tops that fit over top the enclosure must be secured with reptile cage clips. Sliding top enclosures should have drop-pin put in place.

### HANDLING

Give new animals 3-4 days to settle in and then offer food. Avoid handling new snakes until they have fed in their new home.

Do not handle your snake for a minimum of 24-48 hours after feeding as this may cause your snake to regurgitate.

*\*If your snake regurgitates, wait a full 2 weeks before feeding again and make sure the food item is on the smaller side.*

### SHELTER

You should have a hide on both the hot and cool side of the cage. Ideally, the hides will be tight-fitting. It's best practice to make those hides humid by occasionally misting the substrate inside of them. This will ensure your snake stays hydrated and has complete sheds.

*\*Always check the snake's tail tip and eyes as these are the most problematic shed areas.*

### SUBSTRATE

There are many suitable options for substrate for these North American snakes including but not limited to: pine shavings, aspen shavings, Repti-Soil™, Bio Active Supply™ substrates, Forest Floor™, Eco Earth™ & more.

### DIET & FEEDING



Prey item should be the same thickness as the thickest part of your snake. It is best practice to transition your snake to eating thawed frozen rodents. (Live rodents have the ability to harm or cause fatal injuries to your snake, if the snake isn't hungry.)

### FEEDING SCHEDULE

**Baby/Juvenile:** Hopper/Adult Mouse or Rat Pup every 5-7 days  
**Juvenile-Sub Adult:** Rats every 7 days  
**Adults:** Rats every 7-10 days

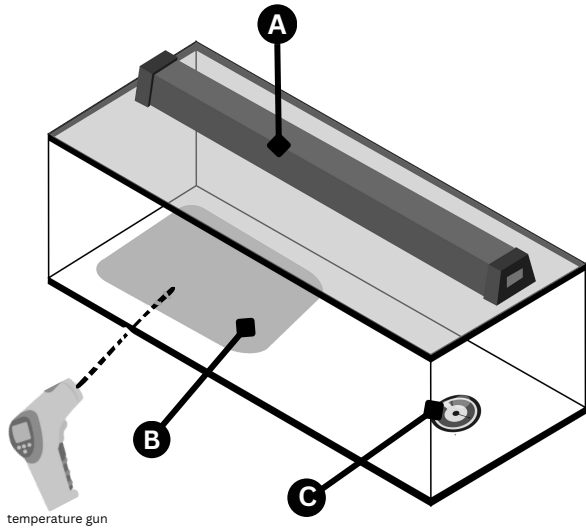
*\*If your cage temperature drop below our listed lows your snake may go off feed as that's a signal to them that winter is coming.*

### MEDICAL CONCERNS

EastBayVivarium.com has several Bay Area Reptile vets listed, a nationwide reptile vet search as well as Emergency Vet information if your animal is having a medical issue.



## BOTTOM HEAT OPTION



temperature gun

### Ⓐ Lighting

UVB *optional*. 5.0 or lower.  
12 hours light on, 12 hours light off

### Ⓑ Heat Mat

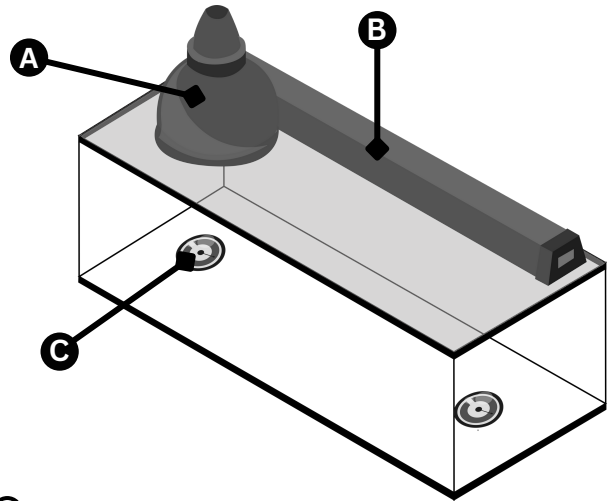
Attach to dimmer for temperature control.

### Ⓒ Temperature Monitoring

- Temperature gun measures surface temperature of the heat mat.
- Have a thermometer on the floor of each side of the enclosure to measure the air temperature of the hot side and cold side. Lay on top of substrate.
- A Min/Max thermometer is recommended on cool side of enclosure to monitor your overnight temperatures.

\*\* Winter months may require additional heating to raise enclosure air temperature to prevent the animal from going off feed.

## TOP HEAT OPTION



### Ⓐ Heat

Use heat bulb or deep heat projector.

### Ⓑ Lighting

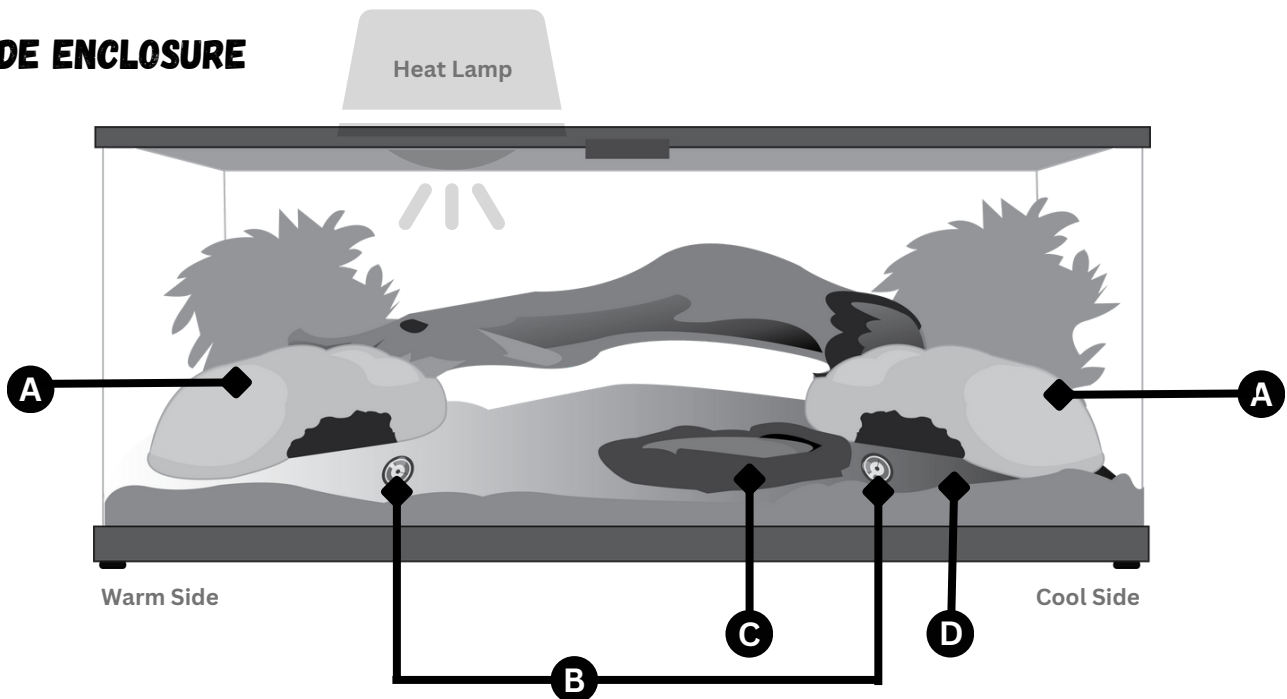
UVB *optional*. 5.0 or lower.  
12 hours light on, 12 hours light off

### Ⓒ Temperature Monitoring

- Have a thermometer on the floor of each side of the enclosure to measure the air temperature of the hot side and cold side. Lay on top of substrate.
- A Min/Max thermometer is recommended on cool side of enclosure to monitor your overnight temperatures.

\*\* Winter months may require additional heating to raise enclosure air temperature to prevent the animal from going off feed.

## INSIDE ENCLOSURE



Ⓐ Warm & Cool Hides

Ⓒ Water Bowl

Ⓑ Thermometers

Ⓓ Substrate